



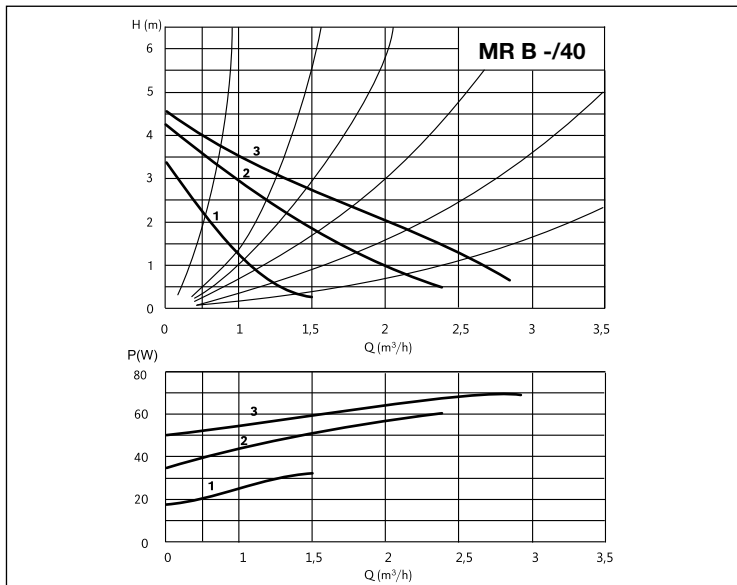
MR B -/40-130

CIRCULATING PUMP FOR SANITARY WATER SYSTEMS

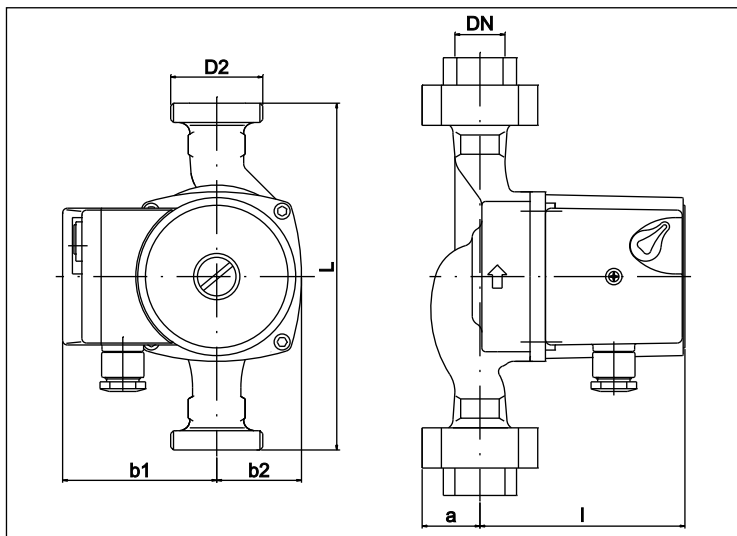
Threaded



PERFORMANCE CURVES (according to ISO 9906 Attachment A)



DIMENSIONS



TECHNICAL FEATURES

Model	Centre-to-centre distance [mm]	DN	Pump connection	Pipeline connection	Fluid temperature (min - max °C)	PN [bar]	P1 max [W]	In max 1~230V [A]	Minimum suction pressure [bar]			Weight [kg]
									50°C	80°C	110°C	
MR B 15/40-130	130	DN15	G 1"	Rp ½"	+5 +65	10	75	0,33	0,05	0,4	1,1	2,3
MR B 25/40-130	130	DN25	G 1 ½"	Rp 1"	+5 +65	10	75	0,33	0,05	0,4	1,1	2,4

APPLICATIONS

Circulating pump for sanitary water systems

TECHNICAL DATA

- Fixed speed (3 selectable speed levels)
- Supply Voltage 1~230V - 50Hz
- Insulation class: H
- Protection rating: IP44
- Maximum operating pressure: 10 bar
- Maximum ambient temperature: 40°C
- Liquid temperature range: +5°C to +65°C

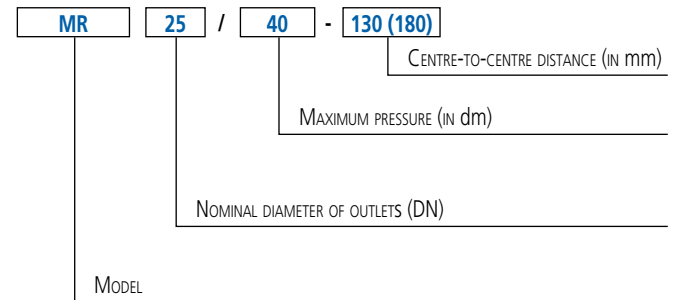
MATERIALS

- Pump casing in bronze
- Runner in polyamide
- Shaft in stainless steel
- Radial bearing in graphite
- Separator tube and plate in stainless steel AISI 316

PERMITTED LIQUIDS

- Liquids that are clear, clean, non-aggressive and non-explosive, with no solid particles or fibres

IDENTIFICATION CODE



DIMENSIONAL TABLE

Model	L	DN	b1	b2	l	a	D2
MR B 15/40-130	130	15	80	44	108	28	1"
MR B 25/40-130	130	25	80	44	108	28	1 ½"



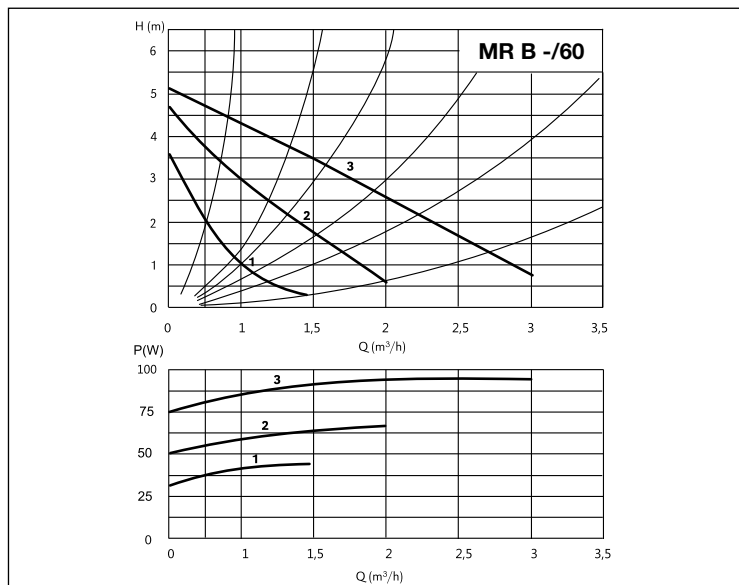
MR B -/60-130

CIRCULATING PUMP FOR SANITARY WATER SYSTEMS

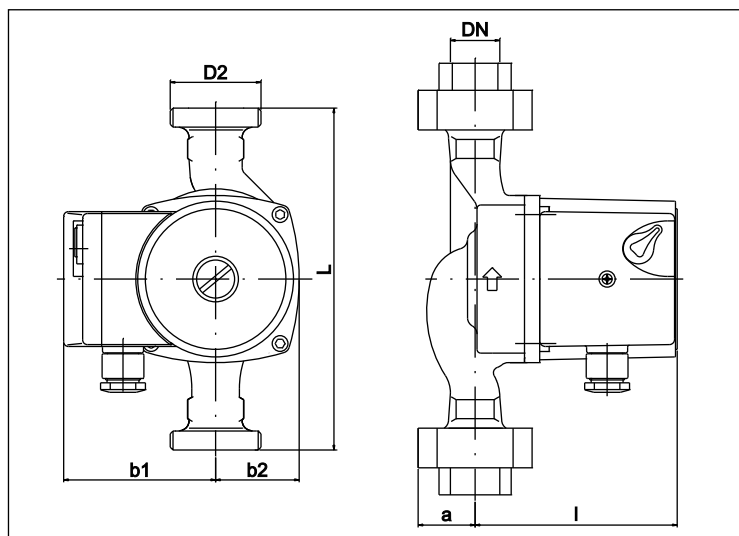
Threaded



PERFORMANCE CURVES (according to ISO 9906 Attachment A)



DIMENSIONS



TECHNICAL FEATURES

Model	Centre-to-centre distance [mm]	DN	Pump connection	Pipeline connection	Fluid temperature (min - max °C)	PN [bar]	P1 max [W]	In max 1~230V [A]	Minimum suction pressure [bar]			Weight [kg]
									50°C	80°C	110°C	
MR B 15/60-130	130	DN15	G 1"	Rp 1/2"	+5 +65	10	90	0,39	0,05	0,4	1,1	2,5
MR B 25/60-130	130	DN25	G 1 1/2"	Rp 1"	+5 +65	10	90	0,39	0,05	0,4	1,1	2,6

APPLICATIONS

Circulating pump for sanitary water systems

TECHNICAL DATA

- Fixed speed (3 selectable speed levels)
- Supply Voltage 1~230V - 50Hz
- Insulation class: H
- Protection rating: IP44
- Maximum operating pressure: 10 bar
- Maximum ambient temperature: 40°C
- Liquid temperature range: +5°C to +65°C

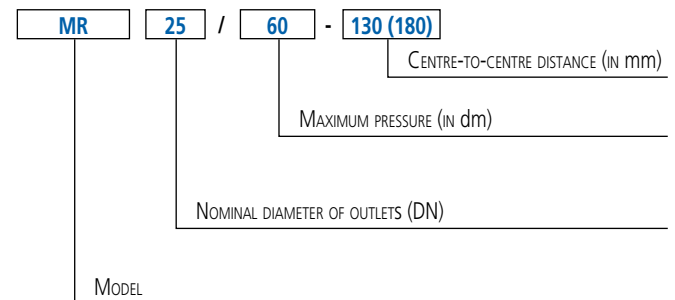
MATERIALS

- Pump casing in bronze
- Runner in polyamide
- Shaft in stainless steel
- Radial bearing in graphite
- Separator tube and plate in stainless steel AISI 316

PERMITTED LIQUIDS

- Liquids that are clear, clean, non-aggressive and non-explosive, with no solid particles or fibres

IDENTIFICATION CODE



DIMENSIONAL TABLE

Model	L	DN	b1	b2	l	a	D2
MR B 15/60-130	130	15	80	44	108	28	1"
MR B 25/60-130	130	25	80	44	108	28	1 1/2"



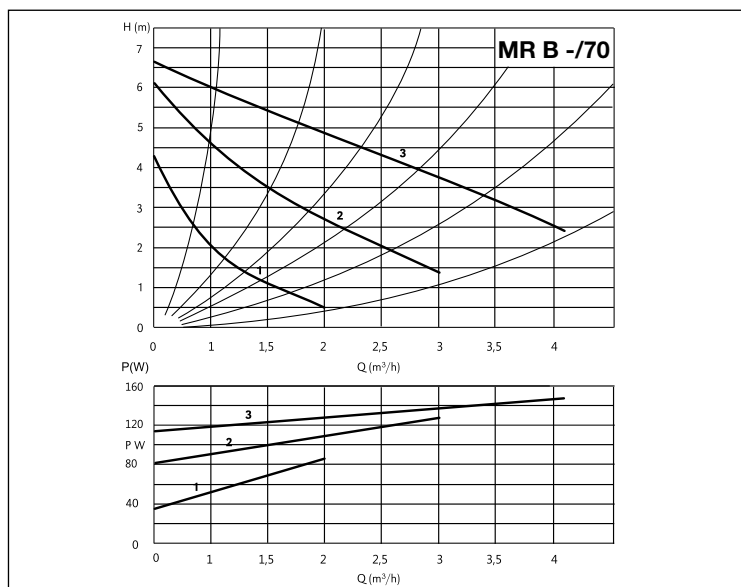
MR B -/70-130

CIRCULATING PUMP FOR SANITARY WATER SYSTEMS

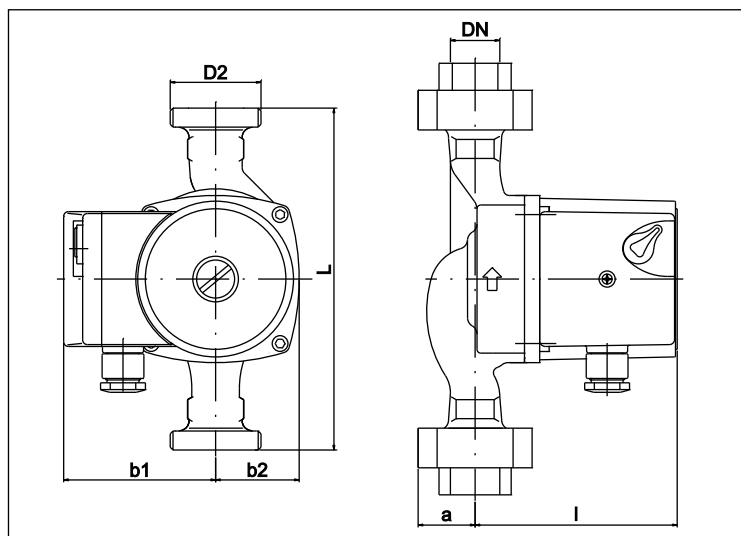
Threaded



PERFORMANCE CURVES (according to ISO 9906 Attachment A)



DIMENSIONS



TECHNICAL FEATURES

Model	Centre-to-centre distance [mm]	DN	Pump connection	Pipeline connection	Fluid temperature (min - max °C)	PN [bar]	P1 max [W]	In max 1~230V [A]	Minimum suction pressure [bar]			Weight [kg]
									50°C	80°C	110°C	
MR B 25/70-130	130	DN25	G 1"½	Rp 1"	+5 +65	10	140	0,62	0,05	0,4	1,1	2,6

APPLICATIONS

Circulating pump for sanitary water systems

TECHNICAL DATA

- Fixed speed (3 selectable speed levels)
- Supply Voltage 1~230V - 50Hz
- Insulation class: H
- Protection rating: IP44
- Maximum operating pressure: 10 bar
- Maximum ambient temperature: 40°C
- Liquid temperature range: +5°C to +65°C

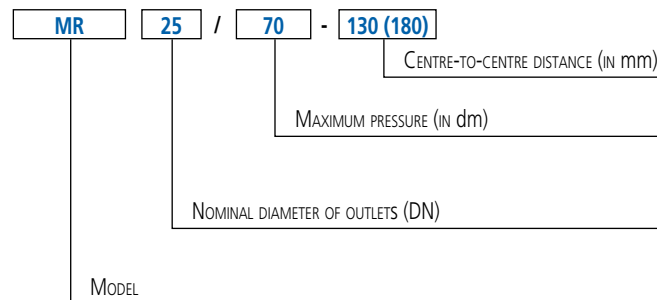
MATERIALS

- Pump casing in bronze
- Runner in polyamide
- Shaft in ceramic
- Radial bearing in ceramic
- Separator tube and plate in stainless steel AISI 316

PERMITTED LIQUIDS

- Liquids that are clear, clean, non-aggressive and non-explosive, with no solid particles or fibres

IDENTIFICATION CODE



DIMENSIONAL TABLE

Model	L	DN	b1	b2	l	a	D2
MR B 25/70-130	130	25	80	44	108	28	1"½

The contents of this publication must not be regarded as binding. EBARA Pumps Europe S.p.A. reserves the right to effect any modification it deems necessary without prior notice.

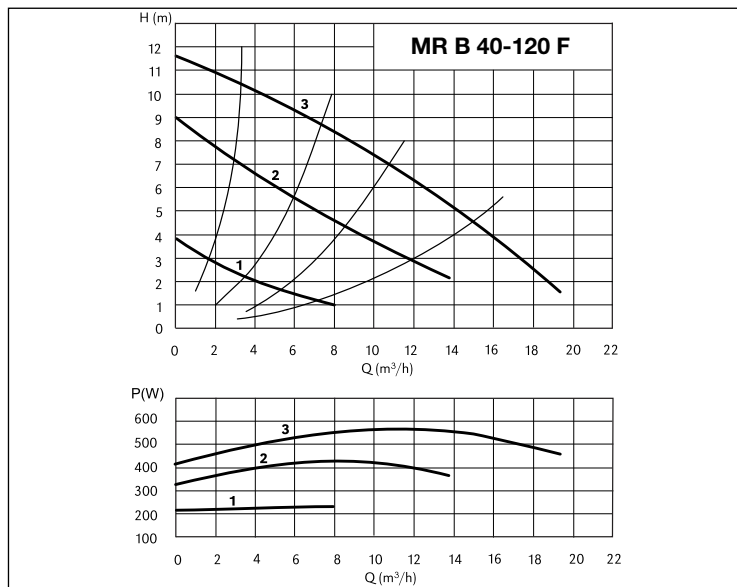
MR B 40-120 F

CIRCULATING PUMP FOR SANITARY WATER SYSTEMS

Flanged



PERFORMANCE CURVES (according to ISO 9906 Attachment A)



APPLICATIONS

Circulating pump for sanitary water systems

TECHNICAL DATA

- Fixed speed (3 selectable speed levels)
- Supply Voltage 3~400V - 50 Hz
- Insulation class: H
- Protection rating: IP43
- Maximum operating pressure: 10 bar
- Maximum ambient temperature: 40°C
- Liquid temperature range: -10°C to +65°C

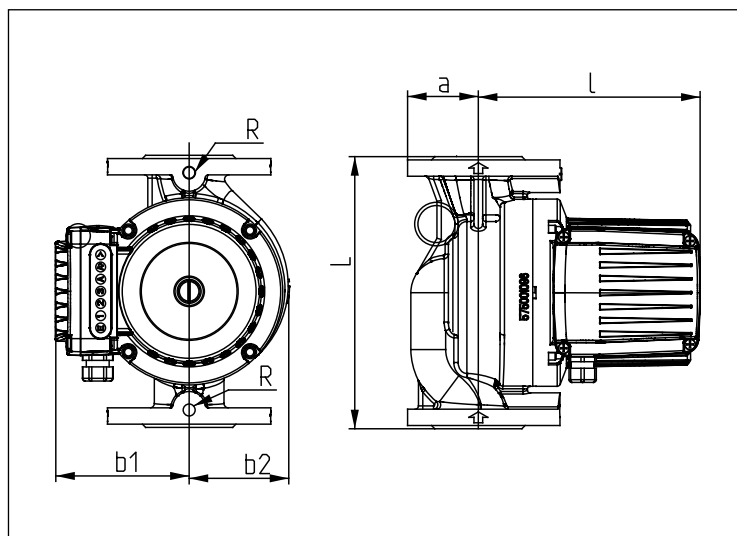
MATERIALS

- Pump casing in bronze
- Impeller in stainless steel
- Shaft in stainless steel
- Radial bearing in graphite
- Separator tube and plate in stainless steel AISI 316

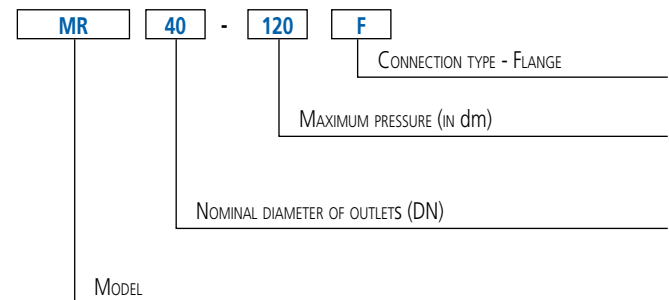
PERMITTED LIQUIDS

- Liquids that are clear, clean, non-aggressive and non-explosive, with no solid particles or fibres

DIMENSIONS



IDENTIFICATION CODE



DIMENSIONAL TABLE

Model	L	DN	b1	b2	l	a
MR B 40-120 F	250	40	153	92	198	65

TECHNICAL FEATURES

Model	Centre-to-centre distance [mm]	DN	Fluid temperature (min - max °C)	PN [bar]	P1 max [W]	In max 3~400V [A]	Minimum suction pressure [bar]			Weight [kg]
							50°C	80°C	110°C	
MR B 40-120 F	250	DN40	-10 +65	10	578	1,46	0,05	0,8	1,4	22,0

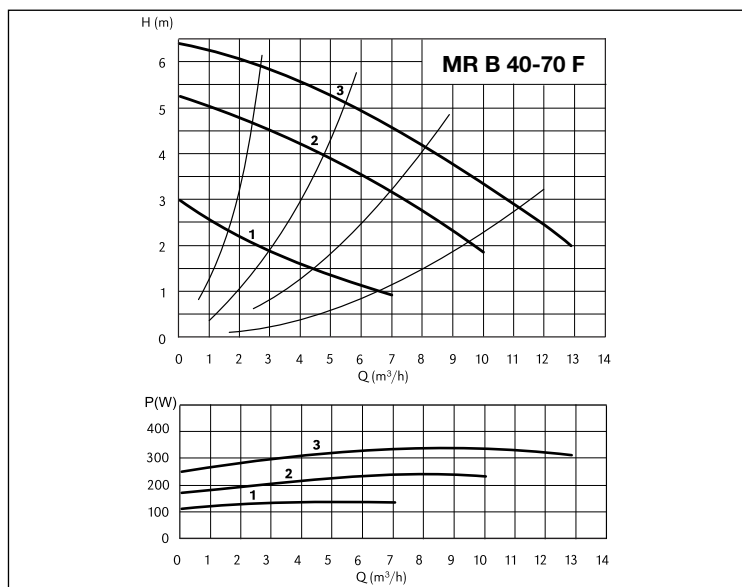
MR B 40-70 F

CIRCULATING PUMP FOR SANITARY WATER SYSTEMS

Flanged



PERFORMANCE CURVES (according to ISO 9906 Attachment A)



APPLICATIONS

Circulating pump for sanitary water systems

TECHNICAL DATA

- Fixed speed (3 selectable speed levels)
- Supply Voltage 3~400V - 50 Hz
- Insulation class: H
- Protection rating IP43
- Maximum operating pressure: 10 bar
- Maximum ambient temperature: 40°C
- Liquid temperature range: -10°C to +65°C

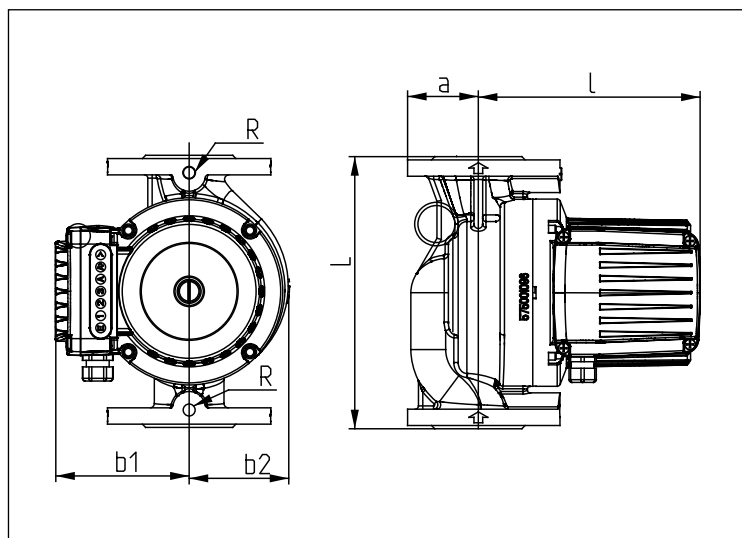
MATERIALS

- Pump casing in bronze
- Impeller in stainless steel
- Shaft in stainless steel
- Radial bearing in graphite
- Separator tube and plate in stainless steel AISI 316

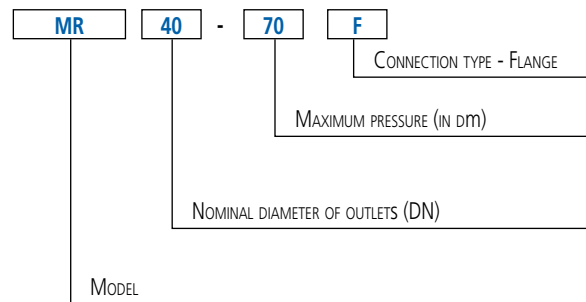
PERMITTED LIQUIDS

- Liquids that are clear, clean, non-aggressive and non-explosive, with no solid particles or fibres

DIMENSIONS



IDENTIFICATION CODE



DIMENSIONAL TABLE

Model	L	DN	b1	b2	l	a
MR B 40-70 F	250	40	153	92	198	65

TECHNICAL FEATURES

Model	Centre-to-centre distance [mm]	DN	Fluid temperature (min - max °C)	PN [bar]	P1 max [W]	In max 3~400V [A]	Minimum suction pressure [bar]			Weight [kg]
							50°C	80°C	110°C	
MR B 40-70 F	250	DN40	-10 +65	10	295	0,74	0,05	0,8	1,4	22,0

MR B 50-120 F

CIRCULATING PUMP FOR SANITARY WATER SYSTEMS

Flanged



APPLICATIONS

Circulating pump for sanitary water systems

TECHNICAL DATA

- Fixed speed (3 selectable speed levels)
- Supply Voltage 3~400V - 50 Hz
- Insulation class: H
- Protection rating IP43
- Maximum operating pressure: 10 bar
- Maximum ambient temperature: 40°C
- Liquid temperature range: -10°C to +65°C

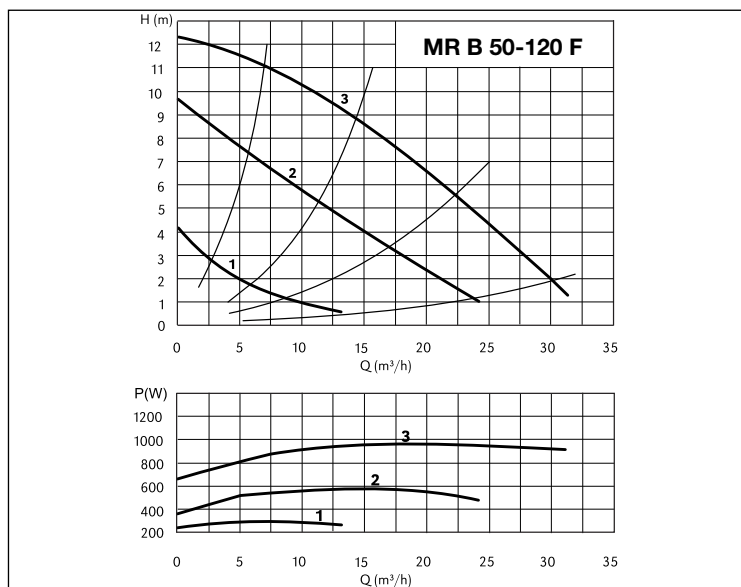
MATERIALS

- Pump casing in bronze
- Impeller in stainless steel
- Shaft in stainless steel
- Radial bearing in graphite
- Separator tube and plate in stainless steel AISI 316

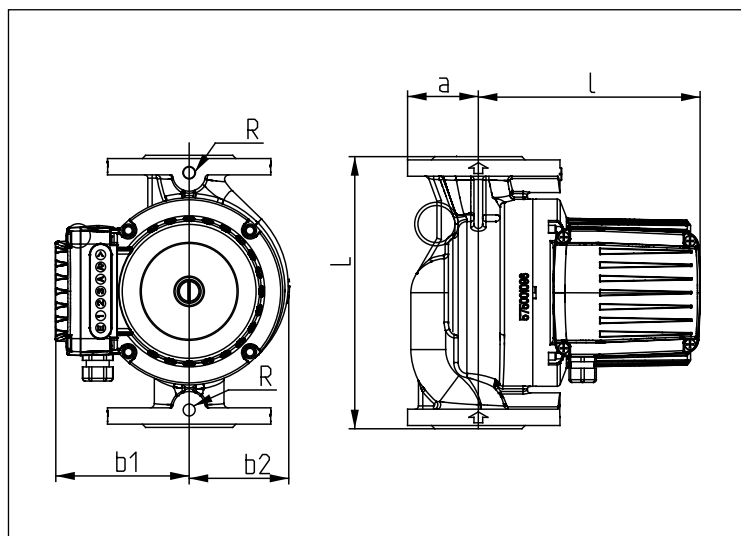
PERMITTED LIQUIDS

- Liquids that are clear, clean, non-aggressive and non-explosive, with no solid particles or fibres

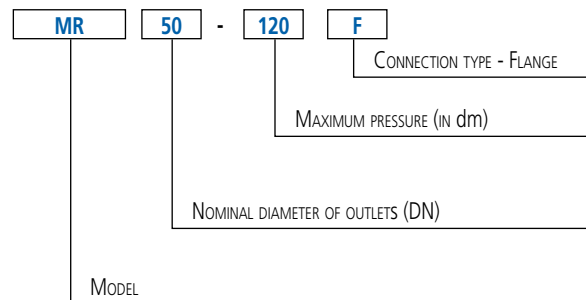
PERFORMANCE CURVES (according to ISO 9906 Attachment A)



DIMENSIONS



IDENTIFICATION CODE



DIMENSIONAL TABLE

Model	L	DN	b1	b2	l	a
MR B 50-120 F	280	50	160	113	250	70

TECHNICAL FEATURES

Model	Centre-to-centre distance [mm]	DN	Fluid temperature (min - max °C)	PN [bar]	P1 max [W]	In max 3~400V [A]	Minimum suction pressure [bar]			Weight [kg]
							50°C	80°C	110°C	
MR B 50-120 F	280	DN50	-10 +65	10	1020	1,73	0,05	0,8	1,4	28,0

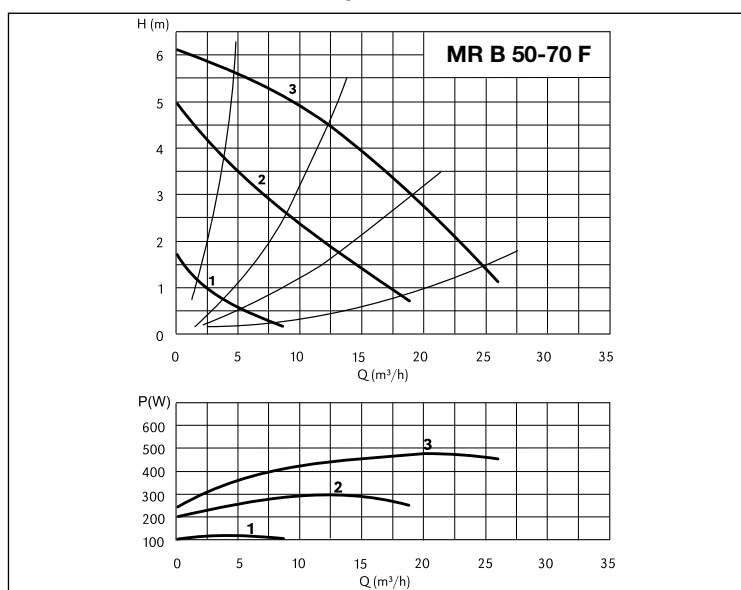
MR B 50-70 F

CIRCULATING PUMP FOR SANITARY WATER SYSTEMS

Flanged



PERFORMANCE CURVES (according to ISO 9906 Attachment A)



APPLICATIONS

Circulating pump for sanitary water systems

TECHNICAL DATA

- Fixed speed (3 selectable speed levels)
- Supply Voltage 3~400V - 50 Hz
- Insulation class: H
- Protection rating IP43
- Maximum operating pressure: 10 bar
- Maximum ambient temperature: 40°C
- Liquid temperature range: -10°C to +65°C

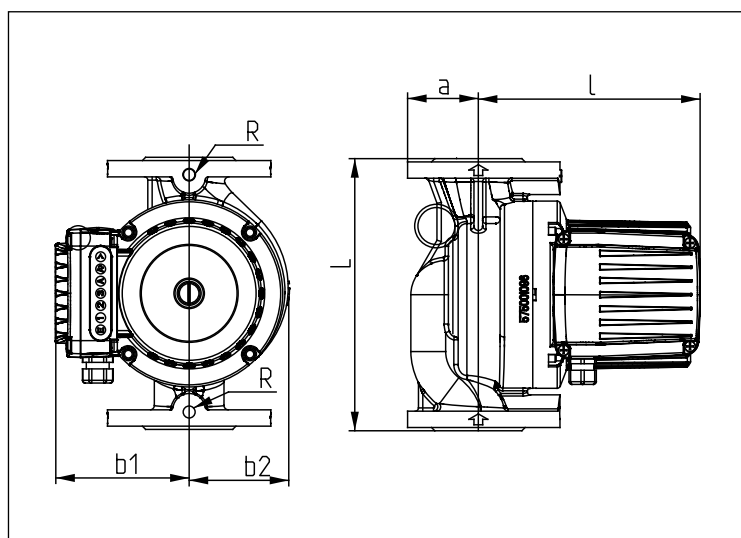
MATERIALS

- Pump casing in bronze
- Impeller in stainless steel
- Shaft in stainless steel
- Radial bearing in graphite
- Separator tube and plate in stainless steel AISI 316

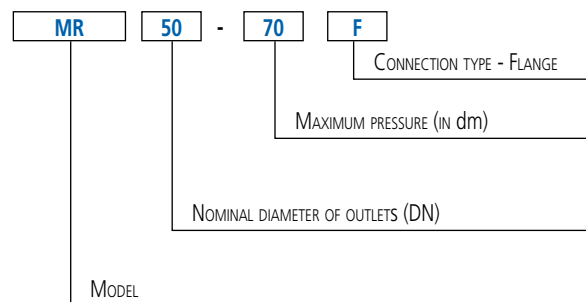
PERMITTED LIQUIDS

- Liquids that are clear, clean, non-aggressive and non-explosive, with no solid particles or fibres

DIMENSIONS



IDENTIFICATION CODE

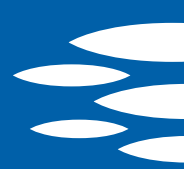


DIMENSIONAL TABLE

Model	L	DN	b1	b2	l	a
MR B 50-70 F	280	50	160	113	250	70

TECHNICAL FEATURES

Model	Centre-to-centre distance [mm]	DN	Fluid temperature (min - max °C)	PN [bar]	P1 max [W]	In max 3~400V [A]	Minimum suction pressure [bar]			Weight [kg]
							50°C	80°C	110°C	
MR B 50-70 F	280	DN50	-10 +65	10	470	1,15	0,30	1,0	1,6	28,0



The contents of this publication must not be regarded as binding. EBARA Pumps Europe S.p.A. reserves the right to effect any modification it deems necessary without prior notice.

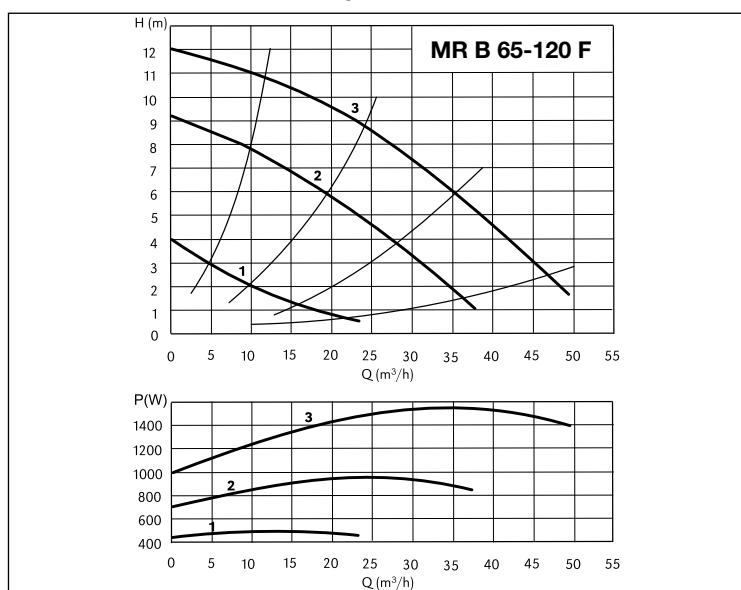
MR B 65-120 F

CIRCULATING PUMP FOR SANITARY WATER SYSTEMS

Flanged



PERFORMANCE CURVES (according to ISO 9906 Attachment A)



APPLICATIONS

Circulating pump for sanitary water systems

TECHNICAL DATA

- Fixed speed (3 selectable speed levels)
- Supply Voltage 3~400V - 50 Hz
- Insulation class: H
- Protection rating IP43
- Maximum operating pressure: 10 bar
- Maximum ambient temperature: 40°C
- Liquid temperature range: -10°C to +65°C

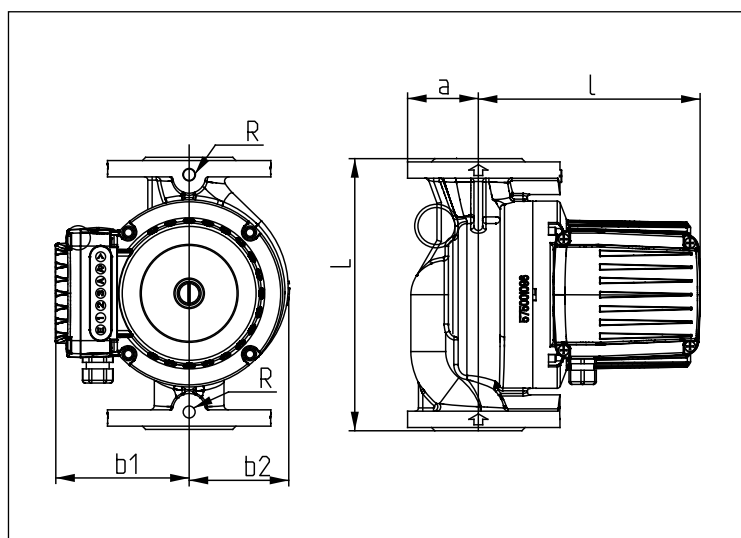
MATERIALS

- Pump casing in bronze
- Impeller in stainless steel
- Shaft in stainless steel
- Radial bearing in graphite
- Separator tube and plate in stainless steel AISI 316

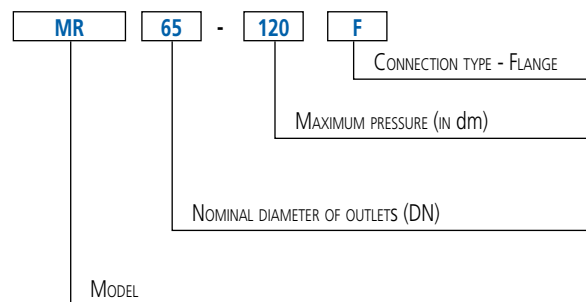
PERMITTED LIQUIDS

- Liquids that are clear, clean, non-aggressive and non-explosive, with no solid particles or fibres

DIMENSIONS



IDENTIFICATION CODE

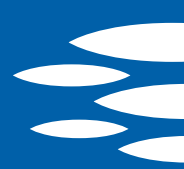


DIMENSIONAL TABLE

Model	L	DN	b1	b2	l	a
MR B 65-120 F	340	65	160	123	252	80

TECHNICAL FEATURES

Model	Centre-to-centre distance [mm]	DN	Fluid temperature (min - max °C)	PN [bar]	P1 max [W]	In max 3~400V [A]	Minimum suction pressure [bar]			Weight [kg]
							50°C	80°C	110°C	
MR B 65-120 F	340	65	-10 +65	10	1560	2,80	0,30	1,0	1,6	36,0



The contents of this publication must not be regarded as binding. EBARA Pumps Europe S.p.A. reserves the right to effect any modification it deems necessary without prior notice.

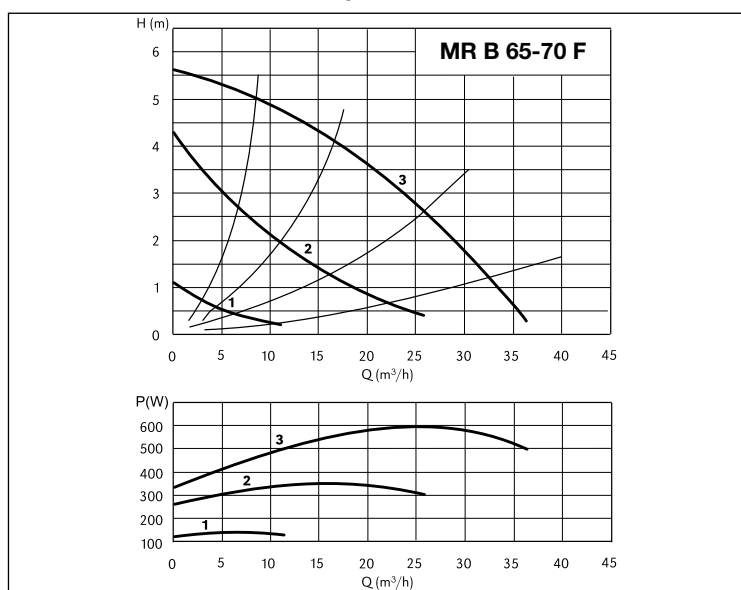
MR B 65-70 F

CIRCULATING PUMP FOR SANITARY WATER SYSTEMS

Flanged



PERFORMANCE CURVES (according to ISO 9906 Attachment A)



APPLICATIONS

Circulating pump for sanitary water systems

TECHNICAL DATA

- Fixed speed (3 selectable speed levels)
- Supply Voltage 3~400V - 50 Hz
- Insulation class: H
- Protection rating IP43
- Maximum operating pressure: 10 bar
- Maximum ambient temperature: 40°C
- Liquid temperature range: -10°C to +65°C

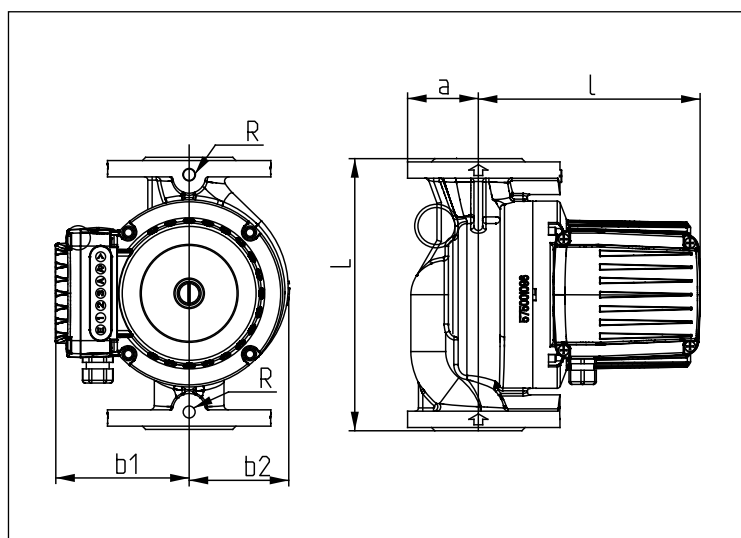
MATERIALS

- Pump casing in bronze
- Impeller in stainless steel
- Shaft in stainless steel
- Radial bearing in graphite
- Separator tube and plate in stainless steel AISI 316

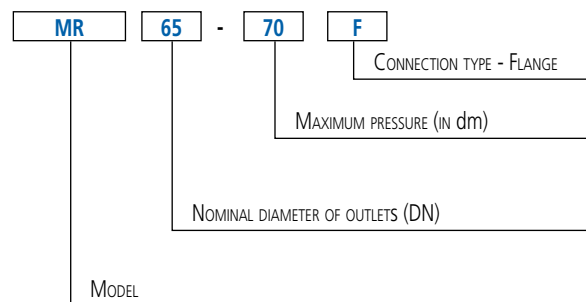
PERMITTED LIQUIDS

- Liquids that are clear, clean, non-aggressive and non-explosive, with no solid particles or fibres

DIMENSIONS



IDENTIFICATION CODE



DIMENSIONAL TABLE

Model	L	DN	b1	b2	l	a
MR B 65-70 F	340	65	160	123	252	80

TECHNICAL FEATURES

Model	Centre-to-centre distance [mm]	DN	Fluid temperature (min - max °C)	PN [bar]	P1 max [W]	In max 3~400V [A]	Minimum suction pressure [bar]			Weight [kg]
							50°C	80°C	110°C	
MR B 65-70 F	340	65	-10 +65	10	600	1,25	0,30	1,0	1,6	36,0